

SUBMITTAL DATA

MULTI36HP230V1EO
36000 BTU/H Multi-Zone Heat Pump System

Job Name

Location

Date

Purchaser

Engineer

Submitted to

For

Unit Designation

Schedule No.



MULTI36HP230V1EO

GENERAL FEATURES

- AHRI Certificate: 210278979 (Non-Ducted)
210278980 (Ducted)
210278986 (Mixed)
- High Efficiency DC Inverter Technology
- Compact and Quiet Design
- Auto Restart on Power Outages
- Multi-point Diagnostics
- Wi-Fi Included (Factory Installed)
- Low Ambient Cooling down to -20°F (Range -22°F to 118°F)
- Low Ambient Heating down to -22°F (Range -22°F to 75°F)
- Coil (Indoor and Outdoor) Copper Tube / Aluminum Fin
- Blue Colored Fin - 500 Hrs Salt Spray Tested

MULTI-ZONE COMPATIBILITY CHART

WALL MOUNT OPTIONS

	MULTI GEN2					MULTI+ ULTRA			
	MULTI18HP230V1EO	MULTI24HP230V1EO	MULTI30HP230V1EO	MULTI36HP230V1EO	MULTI42HP230V1EO	MULTIU18HP230V1DO	MULTIU24HP230V1DO	MULTIU36HP230V1DO	MULTIU42HP230V1DO
LIVO GEN3									
System Model no.									
LIVV09HP230V1AH	•	•	•	•	•	•	•	•	•
LIVV12HP230V1AH	•	•	•	•	•	•	•	•	•
LIVV18HP230V1AH		•	•	•	•		•	•	•
LIVV24HP230V1AH			•	•	•			•	•
LIVV30HP230V1AH									
LIVV36HP230V1AH									
LIVO GEN4									
System Model no.									
4LIV05HP230V1AH	•	•	•	•	•				
4LIV07HP230V1AH	•	•	•	•	•				
4LIV09HP230V1AH	•	•	•	•	•	•	•	•	•
4LIV12HP230V1AH	•	•	•	•	•	•	•	•	•
4LIV18HP230V1AH		•	•	•	•		•	•	•
4LIV24HP230V1AH			•	•	•			•	•
4LIV30HP230V1AH									
4LIV36HP230V1AH									
VIREO GEN3									
System Model no.									
3VIR09HP230V1AH & BH ¹	•	•	•	•	•	•	•	•	•
3VIR12HP230V1AH & BH ¹	•	•	•	•	•	•	•	•	•
3VIR18HP230V1AH & BH ¹		•	•	•	•		•	•	•
3VIR24HP230V1AH & BH ¹			•	•	•			•	•
VIREO+ ULTRA									
System Model no.									
VIRU30HP230V1AH									
VIRU36HP230V1AH									
SAPPHIRE									
System Model no.									
SAP09HP230V1AH	•	•	•	•	•	•	•	•	•
SAP12HP230V1AH	•	•	•	•	•	•	•	•	•
SAP18HP230V1AH		•	•	•	•		•	•	•
SAP24HP230V1AH			•	•	•			•	•

¹AH = MATT FINISH; BH = SMOOTH FINISH

ADDITIONAL INDOOR UNIT OPTIONS

	MULTI GEN2					MULTI+ ULTRA			
	MULTI18HP230V1EO	MULTI24HP230V1EO	MULTI30HP230V1EO	MULTI36HP230V1EO	MULTI42HP230V1EO	MULTIU18HP230V1DO	MULTIU24HP230V1DO	MULTIU36HP230V1DO	MULTIU42HP230V1DO
HIGH STATIC CONCEALED SLIM DUCT									
System Model no.									
DUCT09HP230V1BD	•	•	•	•	•	•	•	•	•
DUCT12HP230V1BD	•	•	•	•	•	•	•	•	•
DUCT18HP230V1BD		•	•	•	•		•	•	•
DUCT24HP230V1BD			•	•	•			•	•
CEILING CASSETTE									
System Model no.									
CAS12HP230V1BC	•	•	•	•	•	•	•	•	•
CAS18HP230V1BC		•	•	•	•		•	•	•
CAS24HP230V1BC			•	•	•			•	•
FLOOR / CEILING									
System Model no.									
FLR09HP230V1BF	•	•	•	•	•	•	•	•	•
FLR12HP230V1BF	•	•	•	•	•	•	•	•	•
FLR18HP230V1BF		•	•	•	•		•	•	•
FLR24HP230V1BF			•	•	•			•	•
MINI-CONSOLE									
System Model no.									
CONS09HP230V1AF	•	•	•	•	•	•	•	•	•
CONS12HP230V1AF	•	•	•	•	•	•	•	•	•
CONS18HP230V1AF		•	•	•	•		•	•	•

NOTE: All indoor units listed above are backward compatible with MULTI AO, BO, & CO models and MULTIU BO models. However, 4LIV05HP230V1AH & 4LIV07HP230V1AH are only backward compatible with MULTI CO models.

SPECIFICATIONS, FEATURES & FUNCTION SUMMARY

SPECIFICATIONS		MULTI36HP230V1EO	
System Type	HEAT PUMP		
Number of Zones	2 - 4		
SYSTEM PERFORMANCE		NON-DUCTED INDOOR UNITS	
Cooling	Min - Max	Btu/h	8871 - 35826
	Capacity @95°F	Btu/h	34000
Heating	Min - Max	Btu/h	8871 - 44356
	Capacity @5°F	Btu/h	32400
	Capacity @17°F	Btu/h	30800
	Capacity @47°F	W	36000
SEER2	21		
EER2	12		
HSPF2	10		
COP @5°F	1.8		
COP @47°F	3.6		
SYSTEM PERFORMANCE		DUCTED INDOOR UNITS	
Cooling	Min - Max	Btu/h	8871 - 35826
	Capacity @95°F	Btu/h	34000
Heating	Min - Max	Btu/h	8871 - 44356
	Capacity @5°F	Btu/h	30000
	Capacity @17°F	Btu/h	30000
	Capacity @47°F	W	36000
SEER2	16		
EER2	11		
HSPF2	8		
COP @5°F			
COP @47°F	3.3		
SYSTEM PERFORMANCE		MIXED DUCTED AND NON-DUCTED INDOOR UNITS	
Cooling	Min - Max	Btu/h	8871 - 35826
	Capacity @95°F	Btu/h	34000
Heating	Min - Max	Btu/h	36000 (8871 - 44356)
	Capacity @5°F	Btu/h	
	Capacity @17°F	Btu/h	
	Capacity @47°F	W	36000
SEER2	18.5		
EER2	11.5		
HSPF2	9		
COP @5°F			
COP @47°F	3.5		
OUTDOOR UNIT		MULTI36HP230V1EO	
Cooling Temperature Range	°F	-22 - 118	
Heating Temperature Range	°F	-22 - 75	
Refrigerant Type	R410A		
Compressor Type	GREE G-10 / 2 - STAGE INVERTER		
Sound Pressure Level	dB(A)	63	
External Dimensions (W x H x D)	in	40-3/16 x 32-9/16 x 16-13/16	
Package Dimension (W x H x D)	in	43 x 34-7/8 x 19-5/8	
Net Weight	lbs	172.0	
Gross Weight	lbs	187.4	

REFRIGERANT PIPING		
Refrigerant Charge - R410A	oz	130.5
Additional Charge	oz/ft	0.2
Port Size (Liquid - Gas)	port A (in)	1/4 - 3/8
	port B (in)	1/4 - 3/8
	port C (in)	1/4 - 3/8
	port D (in)	1/4 - 3/8
	port E (in)	
Pre-Charge Length	ft	131
Pipe Length (Min - Max)	ft	10 - 263
Pipe Length to furthest Indoor Unit	ft	82
Max. Pipe Elevation	ft	82
ELECTRICAL		
Power Supply	208-230V / 1Ph / 60Hz	
Voltage Range (Min - Max)	VAC	187 - 253
Rated Current - Cooling	A	23
Rated Current - Heating	A	23
MCA	A	29
MOCP	A	45
Suggested Breaker Size	A	30
Main Power Wire Size	AWG	Per Local Code
Interconnecting Wire Size	AWG	14 / 4

FEATURES & FUNCTIONS SUMMARY	MULTI36HP230V1EO
SYSTEM FEATURES	
Inverter Type	G10
Ultra Low Frequency Torque Control	Yes
Power Factor Correction	Yes
Compressor Type - Inverter	High Efficiency Rotary
Basepan With Electric Heater	Yes
Indoor & Outdoor Fin Coating (Blue Fin)	Yes
Intelligent Defrosting	Yes
Intelligent Preheating	Yes
Low Voltage Startup	Yes
Memory/Power Failure Recovery	Yes
Self Diagnosis	Yes

ALLOWABLE COMBINATIONS CAPACITIES

MODEL NUMBER	POSSIBLE COMBINATIONS	COOLING CAPACITY (Btu/h)					HEATING CAPACITY (Btu/h)				
		ZONE1	ZONE2	ZONE3	ZONE4	ZONE5	ZONE1	ZONE2	ZONE3	ZONE4	ZONE5
MULTI36HP230V1EO	7K+7K+7K	7,000	7,000	7,000			8,000	8,000	8,000		
MULTI36HP230V1EO	5K+7K+7K	5,000	7,000	7,000			6,000	8,000	8,000		
MULTI36HP230V1EO	5K+5K+5K+5K	5,000	5,000	5,000	5,000		6,000	6,000	6,000	6,000	
MULTI36HP230V1EO	7K+7K+7K+7K	7,000	7,000	7,000	7,000		8,000	8,000	8,000	8,000	
MULTI36HP230V1EO	5K+5K+5K+7K	5,000	5,000	5,000	7,000		6,000	6,000	6,000	8,000	
MULTI36HP230V1EO	5K+5K+7K+7K	5,000	5,000	7,000	7,000		6,000	6,000	8,000	8,000	
MULTI36HP230V1EO	5K+7K+7K+7K	5,000	7,000	7,000	7,000		6,000	8,000	8,000	8,000	
MULTI36HP230V1EO	9K+9K	9,000	9,000				9,500	9,500			
MULTI36HP230V1EO	9K+12K	9,000	12,000				9,429	12,571			
MULTI36HP230V1EO	9K+18K	9,000	18,000				9,000	18,000			
MULTI36HP230V1EO	9K+24K	9,000	24,000				9,000	24,000			
MULTI36HP230V1EO	12K+12K	12,000	12,000				12,000	12,000			
MULTI36HP230V1EO	12K+18K	12,000	18,000				12,000	18,000			
MULTI36HP230V1EO	12K+24K	11,333	22,667				12,000	24,000			
MULTI36HP230V1EO	18K+18K	17,000	17,000				18,000	18,000			
MULTI36HP230V1EO	18K+24K	14,571	19,429				15,429	20,571			
MULTI36HP230V1EO	21K+24K	15,867	18,133				16,800	19,200			
MULTI36HP230V1EO	24K+24K	17,000	17,000				18,000	18,000			
MULTI36HP230V1EO	9K+9K+9K	9,000	9,000	9,000			9,000	9,000	9,000		
MULTI36HP230V1EO	9K+9K+12K	9,000	9,000	12,000			9,000	9,000	12,000		
MULTI36HP230V1EO	9K+9K+18K	8,500	8,500	17,000			9,000	9,000	18,000		
MULTI36HP230V1EO	9K+9K+24K	7,286	7,286	19,429			7,714	7,714	20,571		
MULTI36HP230V1EO	9K+12K+12K	9,000	12,000	12,000			9,000	12,000	12,000		
MULTI36HP230V1EO	9K+12K+18K	7,846	10,462	15,692			8,308	11,077	16,615		
MULTI36HP230V1EO	9K+12K+24K	6,800	9,067	18,133			7,200	9,600	19,200		
MULTI36HP230V1EO	9K+18K+18K	6,800	13,600	13,600			7,200	14,400	14,400		
MULTI36HP230V1EO	9K+18K+24K	6,000	12,000	16,000			6,353	12,706	16,941		
MULTI36HP230V1EO	9K+21K+24K	5,667	13,222	15,111			6,000	14,000	16,000		
MULTI36HP230V1EO	12K+12K+12K	11,333	11,333	11,333			12,000	12,000	12,000		
MULTI36HP230V1EO	12K+12K+18K	9,714	9,714	14,571			10,286	10,286	15,429		
MULTI36HP230V1EO	12K+12K+24K	8,500	8,500	17,000			9,000	9,000	18,000		
MULTI36HP230V1EO	12K+18K+18K	8,500	12,750	12,750			9,000	13,500	13,500		
MULTI36HP230V1EO	12K+18K+24K	7,556	11,333	15,111			8,000	12,000	16,000		
MULTI36HP230V1EO	18K+18K+18K	11,333	11,333	11,333			12,000	12,000	12,000		
MULTI36HP230V1EO	9K+9K+9K+9K	8,500	8,500	8,500	8,500		9,000	9,000	9,000	9,000	
MULTI36HP230V1EO	9K+9K+9K+12K	7,846	7,846	7,846	10,462		8,308	8,308	8,308	11,077	
MULTI36HP230V1EO	9K+9K+9K+18K	6,800	6,800	6,800	13,600		7,200	7,200	7,200	14,400	
MULTI36HP230V1EO	9K+9K+9K+24K	6,000	6,000	6,000	16,000		6,353	6,353	6,353	16,941	
MULTI36HP230V1EO	9K+9K+12K+12K	7,286	7,286	9,714	9,714		7,714	7,714	10,286	10,286	
MULTI36HP230V1EO	9K+9K+12K+18K	6,375	6,375	8,500	12,750		6,750	6,750	9,000	13,500	
MULTI36HP230V1EO	9K+9K+12K+24K	5,667	5,667	7,556	15,111		6,000	6,000	8,000	16,000	
MULTI36HP230V1EO	9K+9K+18K+18K	5,667	5,667	11,333	11,333		6,000	6,000	12,000	12,000	
MULTI36HP230V1EO	9K+12K+12K+12K	6,800	9,067	9,067	9,067		7,200	9,600	9,600	9,600	
MULTI36HP230V1EO	9K+12K+12K+18K	6,000	8,000	8,000	12,000		6,353	8,471	8,471	12,706	
MULTI36HP230V1EO	12K+12K+12K+12K	8,500	8,500	8,500	8,500		9,000	9,000	9,000	9,000	
MULTI36HP230V1EO	12K+12K+12K+18K	7,556	7,556	7,556	11,333		8,000	8,000	8,000	12,000	

Outdoor Unit & Possible Indoor Unit Combinations with AHRI Certified Performance

*You may substitute the 9K unit with a 5K or 7K High Wall unit, find complete capacity information in the extended ratings chart.

DIMENSIONS

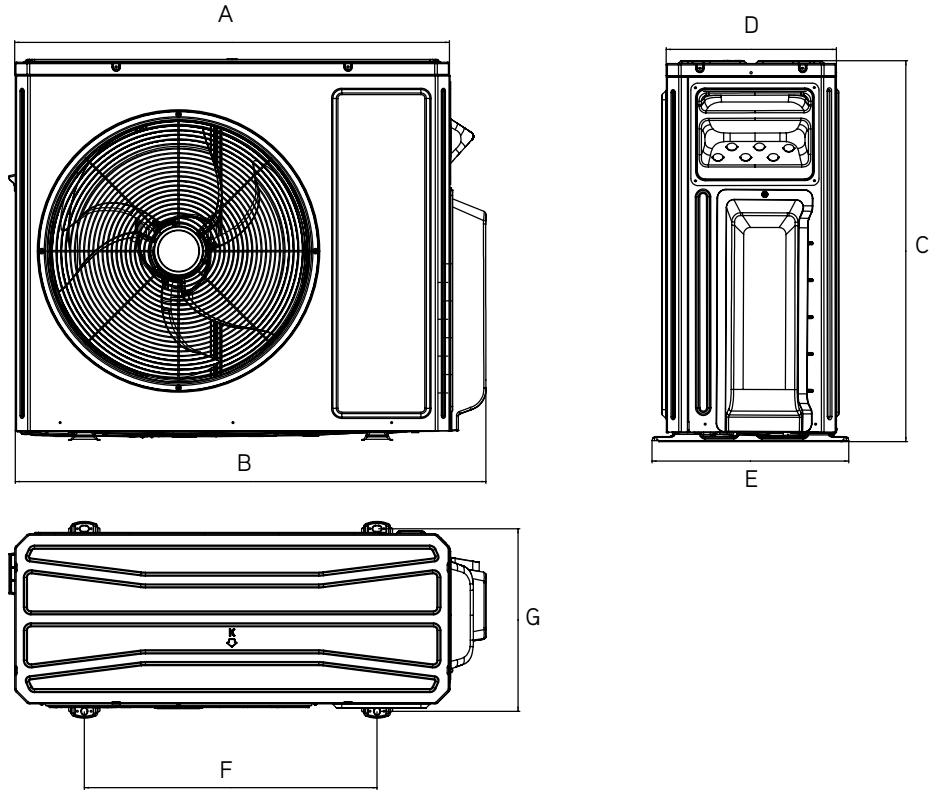
OUTDOOR UNIT

Unit: inch

MULTI36HP230V1EO

DIMENSIONS

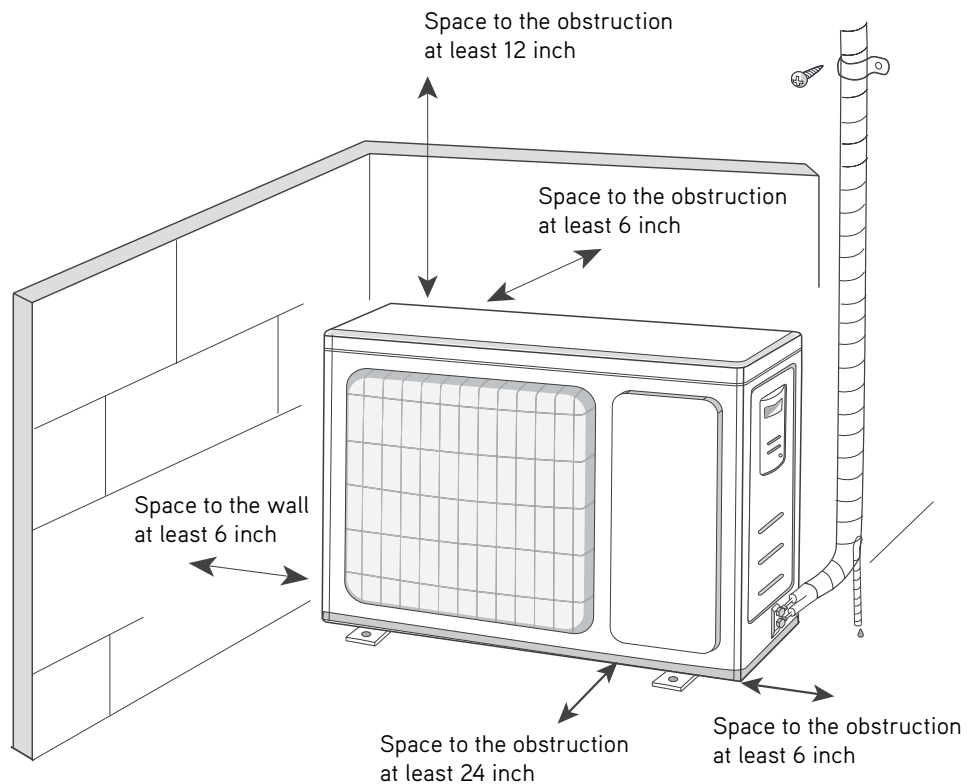
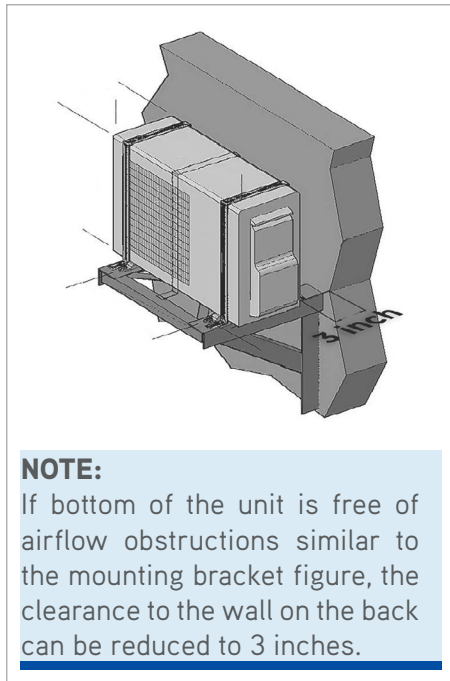
A	37-1/8
B	40-3/16
C	32-9/16
D	14-17/32
E	16-13/16
F	25
G	15-19/32



CLEARANCES

OUTDOOR UNIT

Minimum clearance



Specifications are subject to change without notice. Manufacturer reserves the right to discontinue or modify specifications or designs without notice or without incurring obligations. All Rights reserved.

GREECOMFORT.COM/SYSTEM-DOCUMENTATION